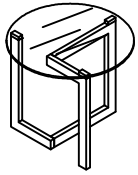




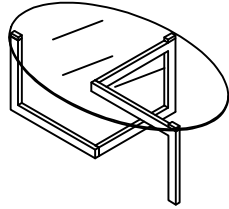
**MAGNUSSEN**<sup>®</sup>  
H O M E  
*Bringing dreams home.*

# ASSEMBLY INSTRUCTIONS

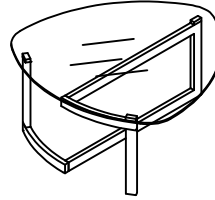
MODEL:T4616-05 / 47 / 62 / 75



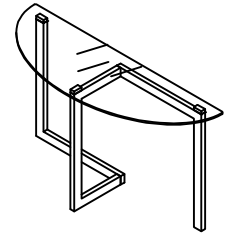
T4616-05



T4616-47

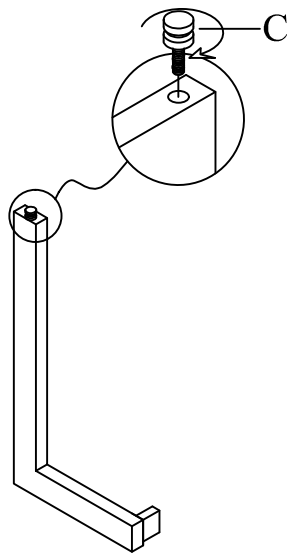


T4616-62

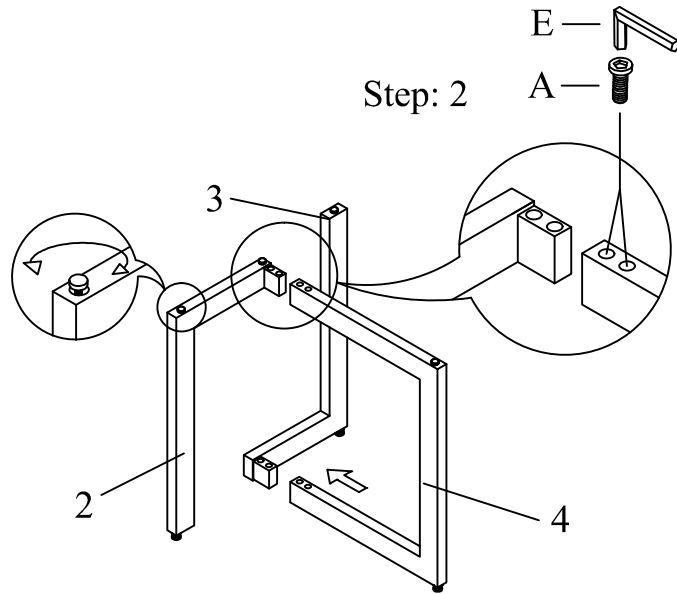


T4616-75

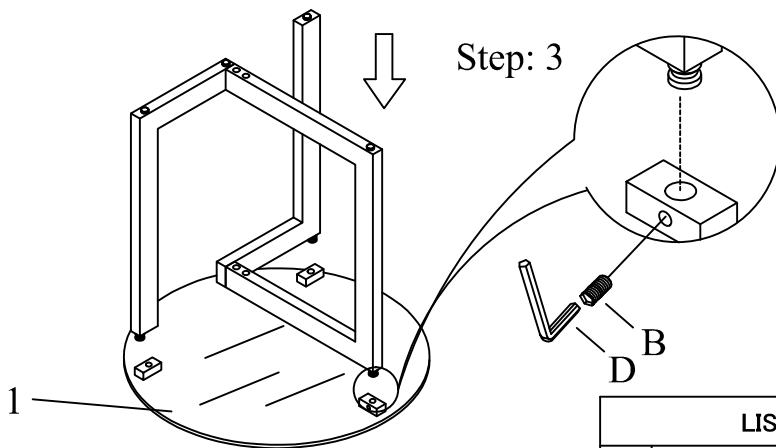
Step: 1



Step: 2



Step: 3



## LIST OF PARTS AND HARDWARE:

No.	Description	Q'ty
A	Bolt 1/4"*5/8"L	4 PCS
B	Bolt 1/4"*5mm	3 PCS
C	Metal Puck	3 PCS
D	Allen Wrench 3mm	1 PC
E	Allen Wrench 4mm	1 PC

## LIST OF PARTS AND HARDWARE:

No.	Description	Q'ty
1	T4616-05/47/62/75 TP Glass top	1 PC
2	T4616-05/47/62/75 Fr Left Metal Leg	1 PC
3	T4616-05/47/62/75 Fr Right Metal Leg	1 PC
4	T4616-05/47/62/75 Fr Middle Metal Leg	1 PC

NOTE:  
ASSEMBLE UNIT ON A SOFT SURFACE.  
ENSEMBLEZ L'UNITÉ SUR UNE SURFACE MOLLE.  
ENSAMBLE LA UNIDAD EN UNA SUPERFICIE PLANA Y SUAVE.  
DO NOT TIGHTEN BOLTS UNTIL THE UNIT IS COMPLETELY ASSEMBLED.  
NE SERREZ PAS LES BOULONS JUSQU'À CE QUE L'UNITÉ SOIT COMPLÈTEMENT ASSEMBLÉE.  
NO APRIETE LOS TORNILLOS HASTA QUE LA UNIDAD ESTE COMPLETAMENTE ENSAMBLADA.