

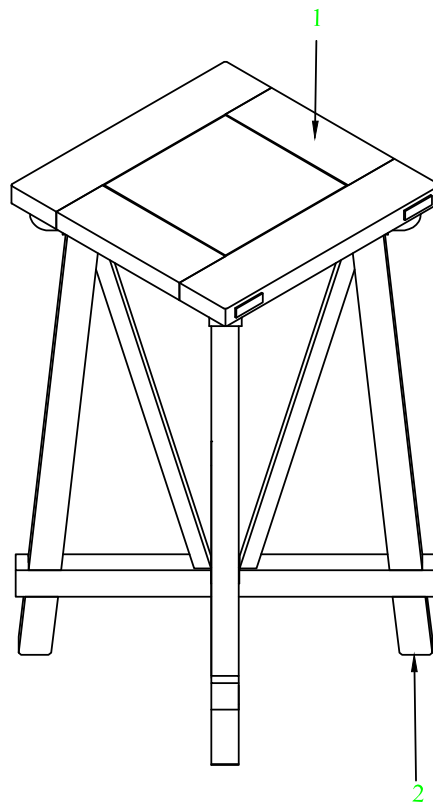


MAGNUSSEN®
H O M E

Bringing dreams home.

ASSEMBLY INSTRUCTIONS

MODEL: T4597&T4598-01 SQUARE END TABLE



LIST OF PARTS AND HARDWARE

No.	Description	Q'ty
1	Square end table	1
2	Floor glide	4