




HOKKER[®] FURNISHINGS

ASSEMBLY INSTRUCTION

ITEM: CC918-480-Leesa Accent Chair

Thank you for purchasing this quality product. Be sure to unpack carefully looking for small parts which may have come loose during shipment. Read all instruction and study the drawing carefully before starting the assembly process.

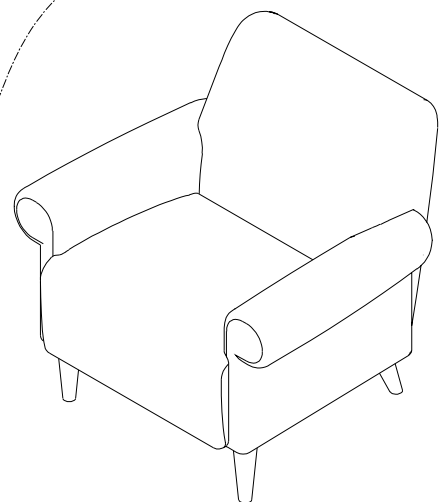
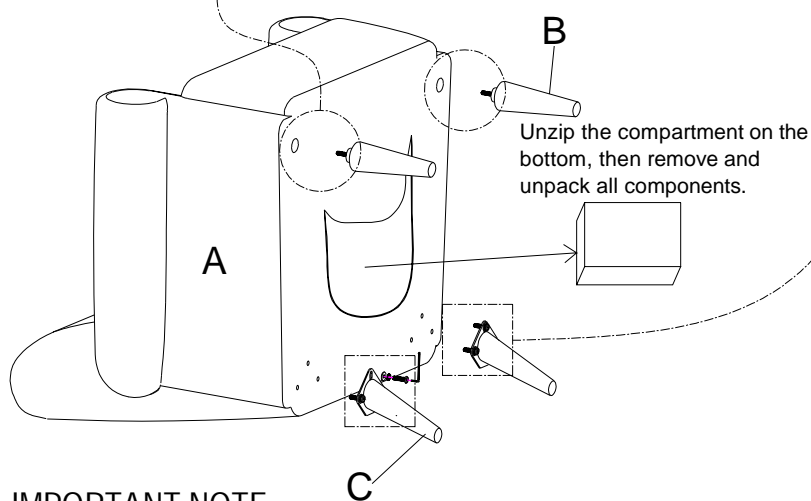
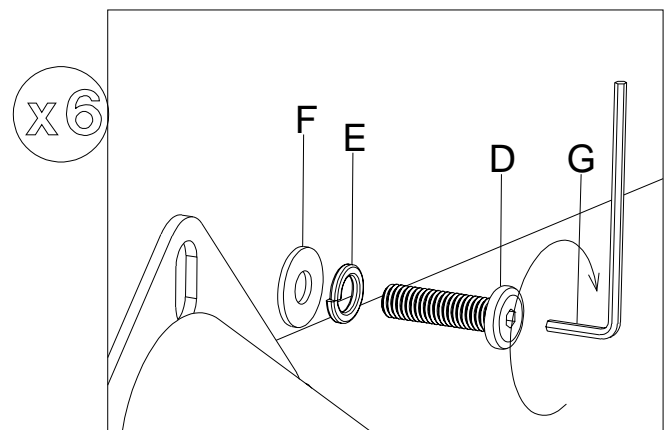
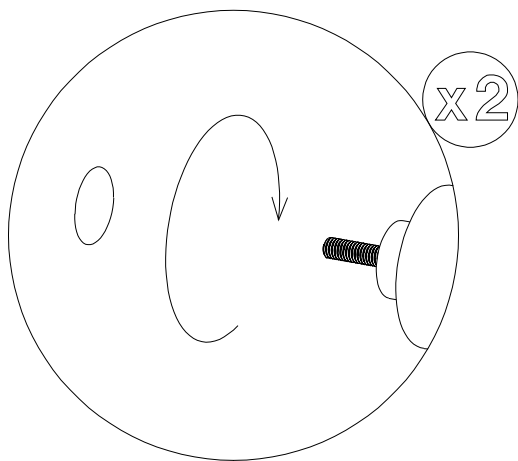
CAUTION: Make sure to read the instructions below before assembling chair. We suggest two people be used in the assembly of chair.

PART LIST			
No.	Drawing	Description	Q'ty
A		Chair Body	1
B		Front Legs	2
C		Back Legs	2

HARDWARE LIST				
No.	Drawing	Description	Size	Q'ty
D		Bolt	Ø5/16"30mm	6
E		Lock Washer	Ø5/16"	6
F		Flat Washer	Ø5/16"	6
G		Allen Key	M4	1

Step 1 : Position the Wood Legs (B) at each corner of the bottom of the Chair Body (A) . Secure by rotating clockwise until snug but **DO NOT OVERTIGHTEN**.

Step 2 :Attach Back Legs (C) to the Chair Body (A) using Bolts (D), Spring Washers (E), and Flat Washers (F). First, twist the bolts in; then, slot the brackets over the bolts and tighten them with the Allen Key (K).



IMPORTANT NOTE

- To avoid any risk of suffocation to children or pets, dispose of all plastic bags immediately.
- To ensure proper performance, occasionally check for loose screws and tighten as needed.