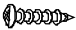





Thank you for purchasing this quality product. Be sure to unpack carefully looking for small parts which may have come loose during shipment.

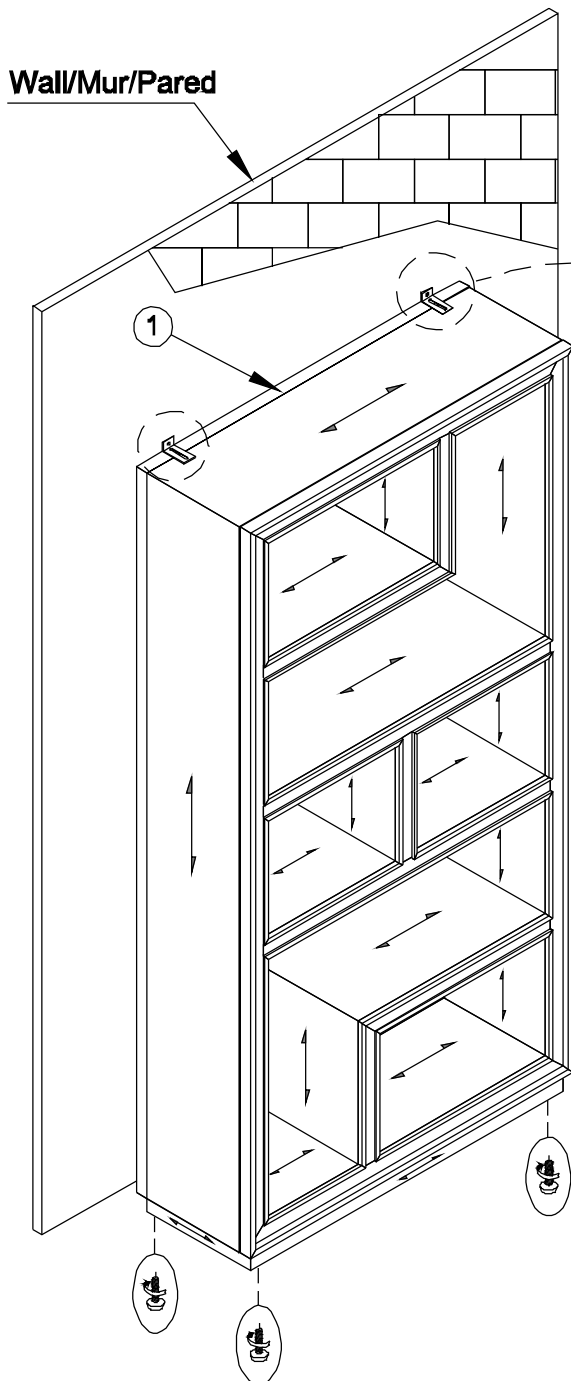
Read all instruction and study the drawing carefully before starting the assembly process.

HARDWARE PACK

NO.	DRAWING	DESCRIPTION	SIZE	QTY
A		Screw	#8x1"	2pcs
B		Wall plug	ø9.5x38mm	2pcs
C		Allen key	4mm	1pc

PART LIST

NO.	DRAWING	DESCRIPTION	QTY
①		Nikos Etagere	1PC



Wall/Mur/Pared

①

Adjustable leveler

