






## ASSEMBLY INSTRUCTION

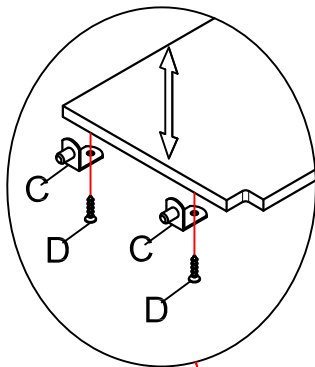
ITEM: 6820-55490-80 Entertainment Credenza  
6820-55490-85 Entertainment Credenza  
6820-55490-99 Entertainment Credenza

Thank you for purchasing this quality product. Be sure to unpack carefully looking for small parts which may have come loose during shipment.

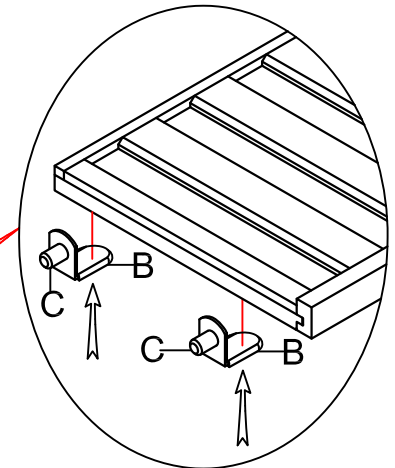
Read all instruction and study the drawing carefully before starting the assembly process.

### HARDWARE PACK

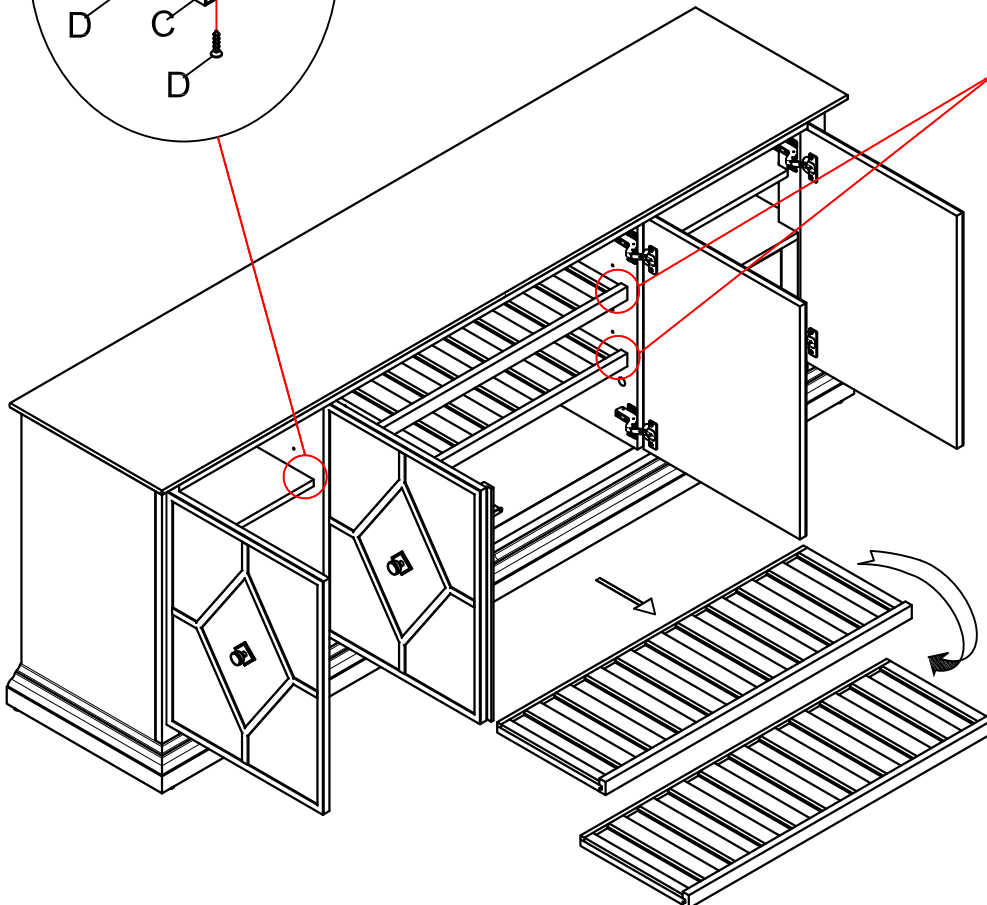
NO.	DRAWING	DESCRIPTION	SIZE	Q'TY
A		Anti - Tip Kit		1 PC
B		Plastic Cover		8 PCS
C		Shelf Pin		16 PCS
D		Screw		8 PCS
E		Allen Wrench	73*29*5mm	1 PC



The adjustable shelves are screwed in place to avoid damage during transit. To adjust the shelf height, remove screws then place shelf pins in the desired level.



Please note the adjustable shelves are reversible and packed in inner box to avoid damage during transit. To adjust the shelf height, take out shelf pins then place shelf pins in the desired level.

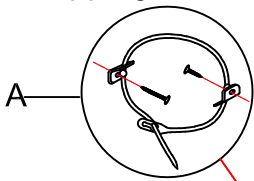


ITEM: 6820-55490-80 Entertainment Credenza  
6820-55490-85 Entertainment Credenza  
6820-55490-99 Entertainment Credenza

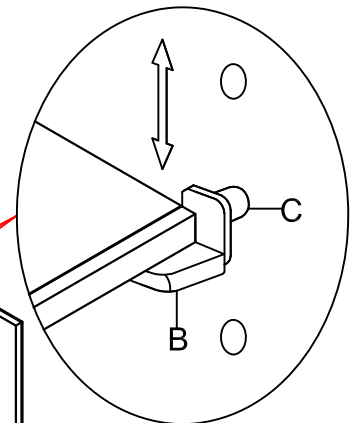
Thank you for purchasing this quality product. Be sure to unpack carefully looking for small parts which may have come loose during shipment.

Read all instruction and study the drawing carefully before starting the assembly process.

### Tipping Restraint

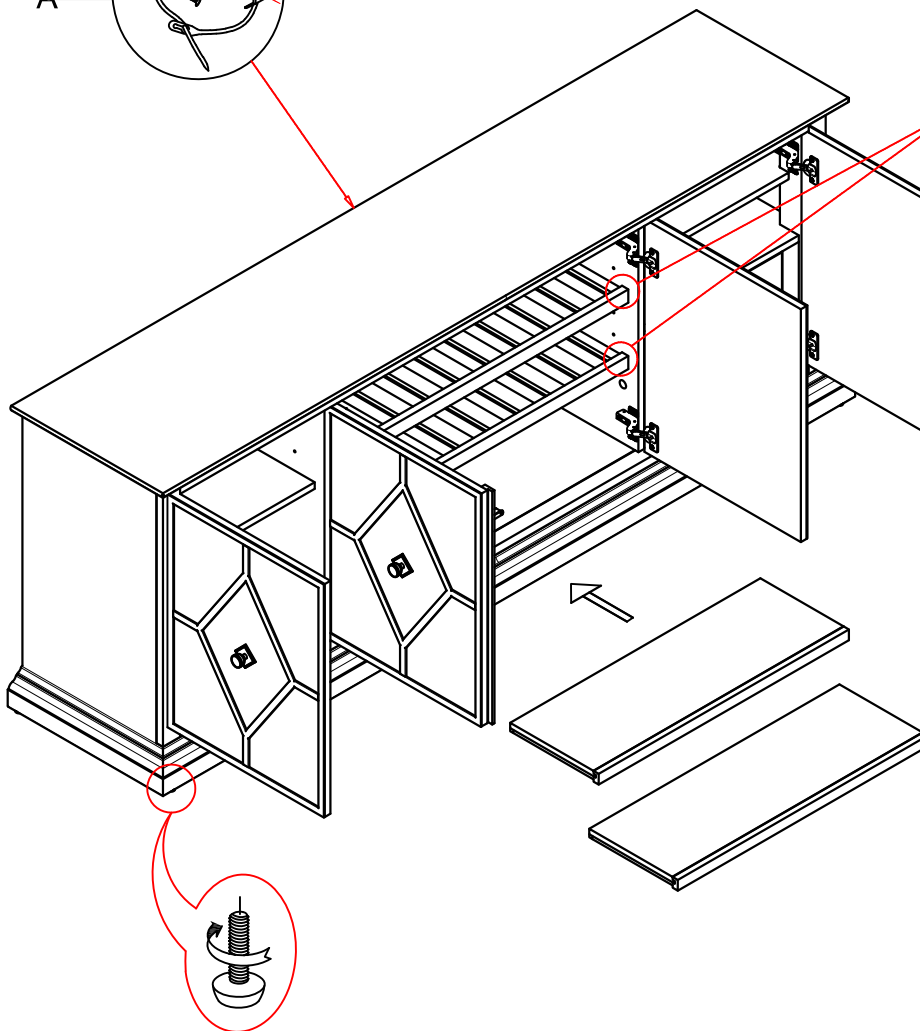


Anti-tip kit is included for use.  
We recommend installing for  
safety reason.



Please note the adjustable  
shelves are reversible and  
packed in inner box to  
avoid damage during  
transit.

To adjust the shelf height,  
take out shelf pins then  
place shelf pins in the  
desired level.

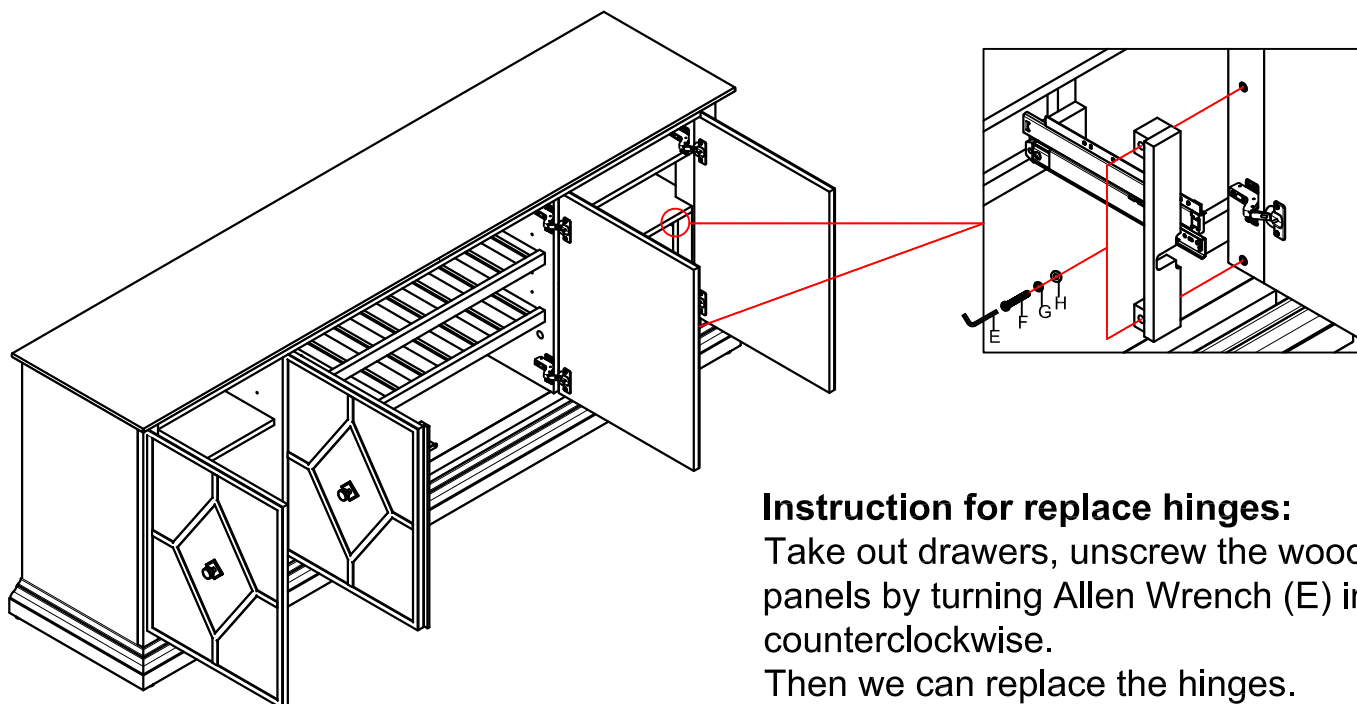
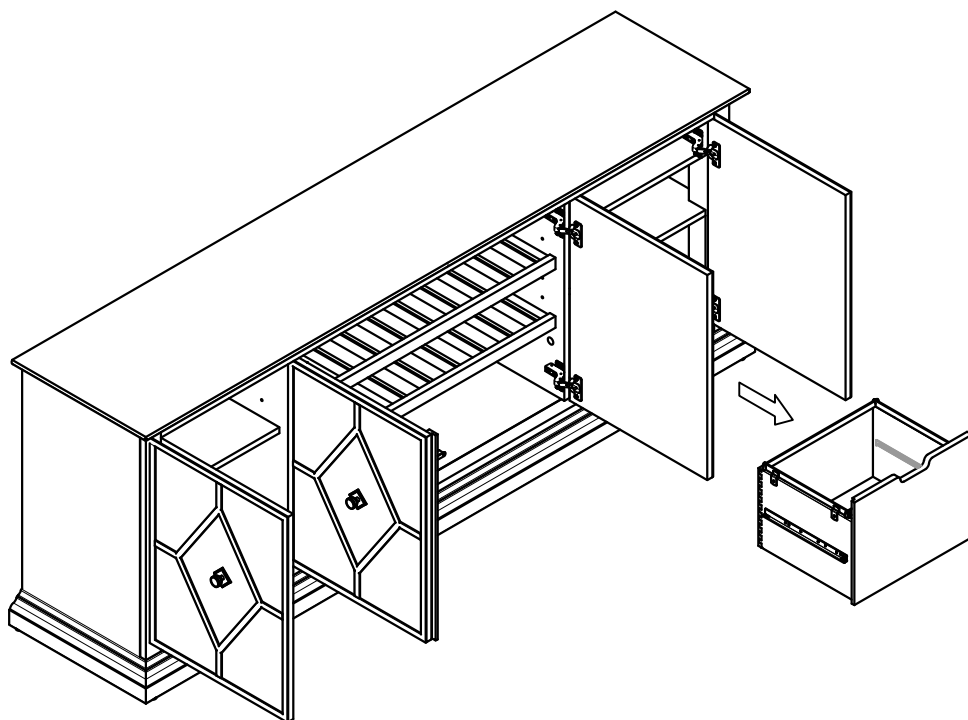


Adjust leveler if needed to level  
credenza on uneven floor.

ITEM: 6820-55490-80 Entertainment Credenza  
6820-55490-85 Entertainment Credenza  
6820-55490-99 Entertainment Credenza

Thank you for purchasing this quality product. Be sure to unpack carefully looking for small parts which may have come loose during shipment.

Read all instruction and study the drawing carefully before starting the assembly process.



### **Instruction for replace hinges:**

Take out drawers, unscrew the wood panels by turning Allen Wrench (E) in counterclockwise.

Then we can replace the hinges.