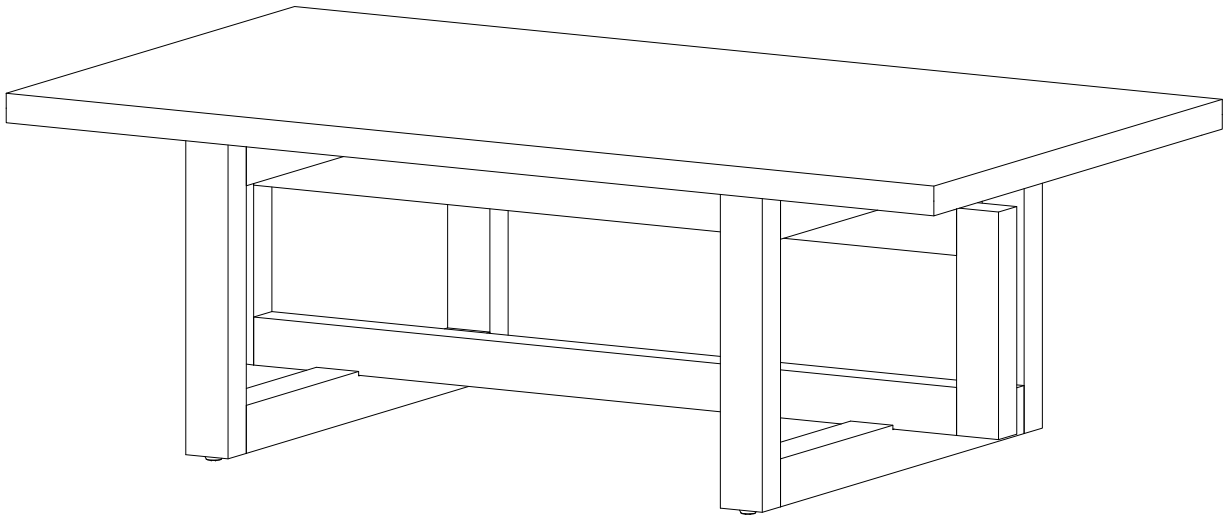
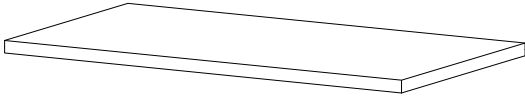
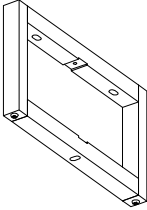
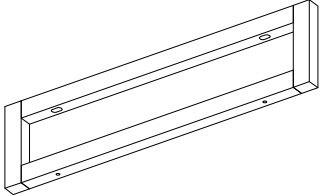

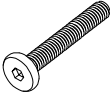





# ASSEMBLY INSTRUCTIONS

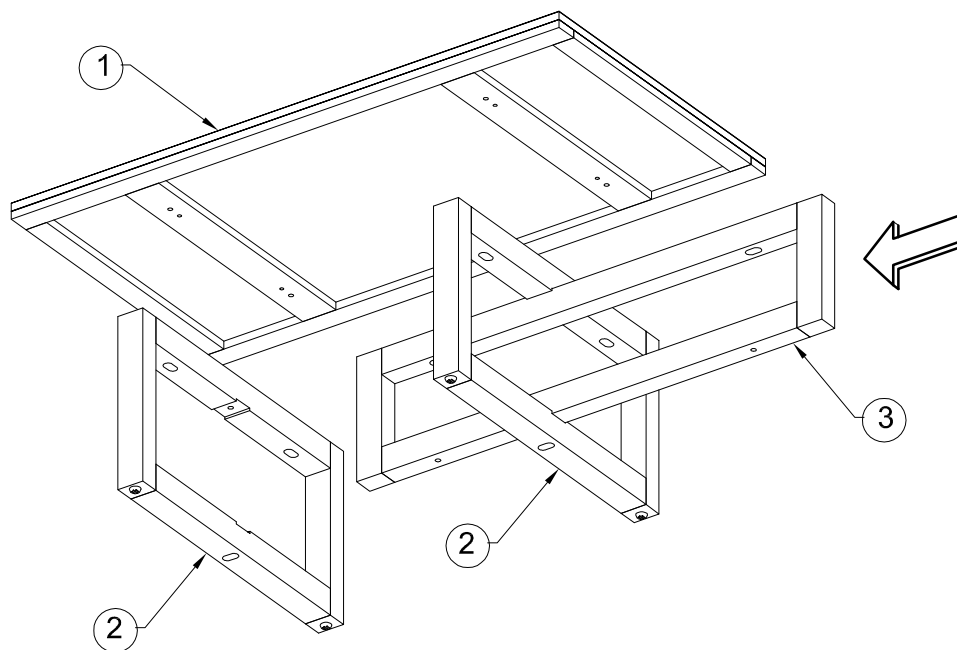
PRODUCT NAME

: CVFDR1214 COCKTAIL TABLE



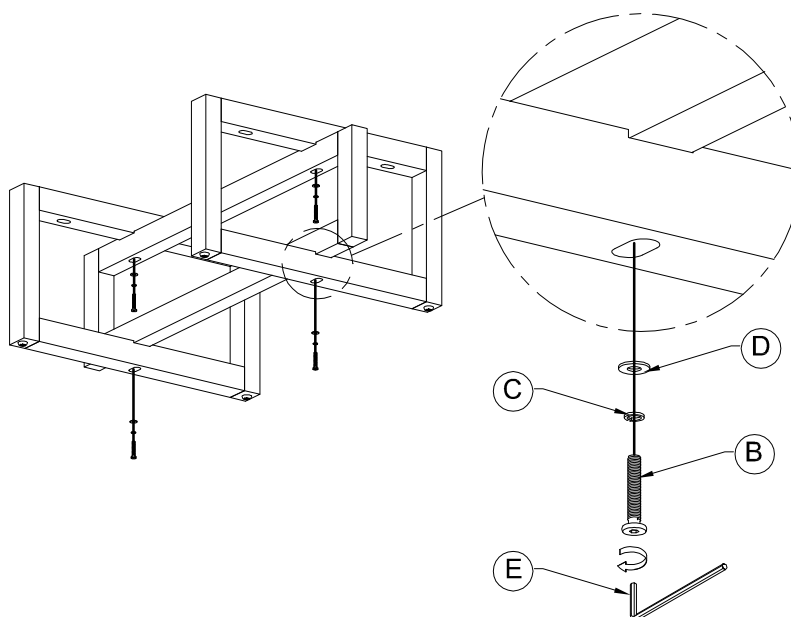
PARTS LIST:			QTY
1	Top		1pc
2	Leg		2pcs
3	Strecher		1pc
HARDWARE:			QTY
A.	Ø8 x 40mmL Dowel		4pcs
B.	Ø8 x 50mmL Machine Screw		8pcs
C.	Lock Washer		8pcs
D.	Flat Washer		8pcs
E.	Ø5mm Allen Wrench		1pc

## STEP 1



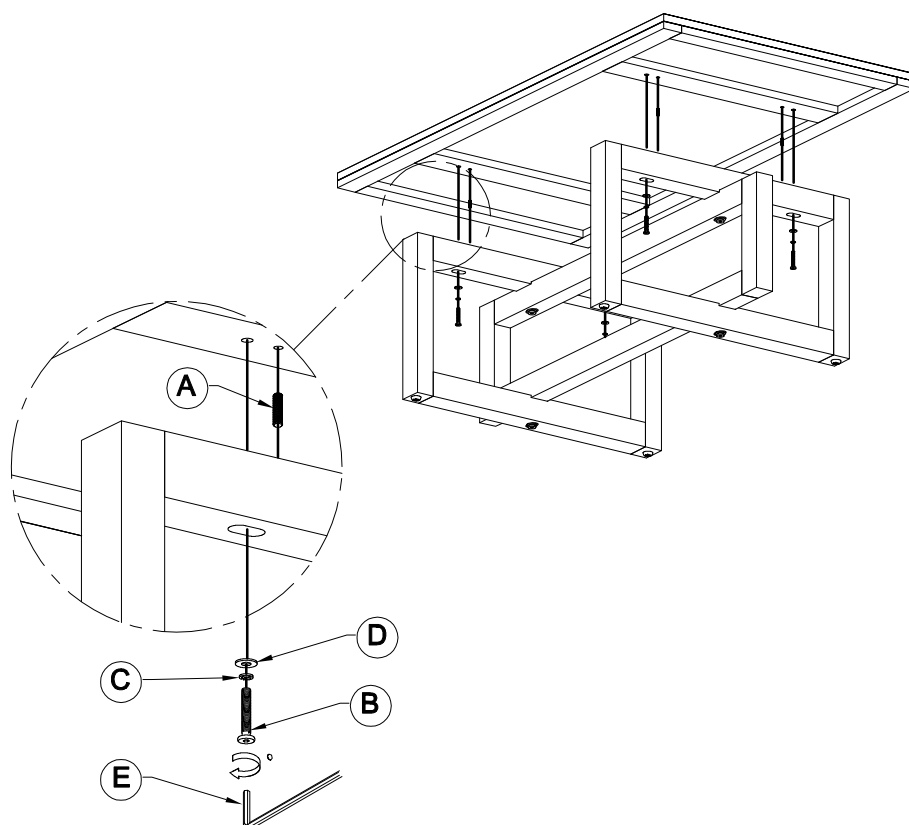
Place top panel (1) on the flat soft surface. Additional soft cloth layer may require to prevent unnecessary scratches or damages on the table top during installation. Insert the cross stretcher assembly (3) into the leg frame assembly (2) as shown.

## STEP 2



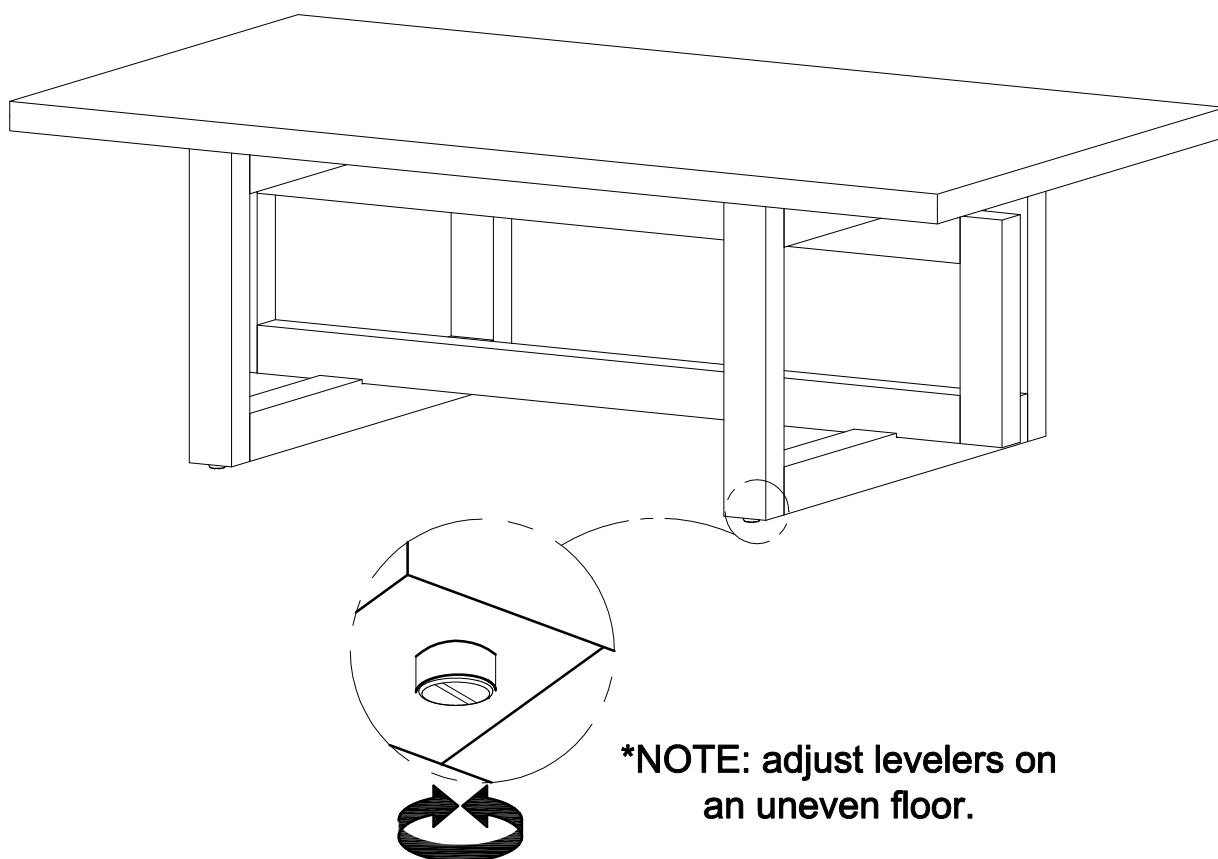
Assemble the leg (2) and frame stretcher (3) use Bolt (B), Lock Washer (C), Flat Washer (D) as shown, and tighten with the Allen Key (E) provided.

### STEP 3



Carefully assemble the leg (2), frame stretcher (3) and locate the position on the top (1) make sure the position are all correctly place and insert the Dowel (A), Bolt (B), Lock Washer (C), Flat Washer (D) as shown, and tighten with the Allen Key (E) provided.

### STEP 4



**\*NOTE: adjust levelers on an uneven floor.**