
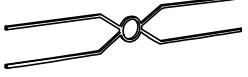




ASSEMBLY INSTRUCTIONS

CVFNR5076

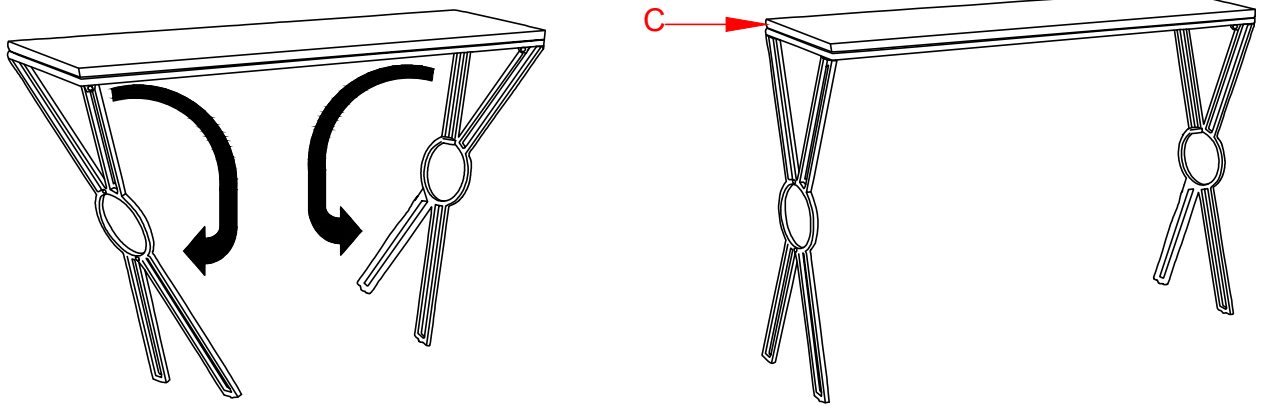
PARTS

S.NO	DESCRIPTION	QNT
C	 TOP	1
D	 CENTER SUPPORT	1

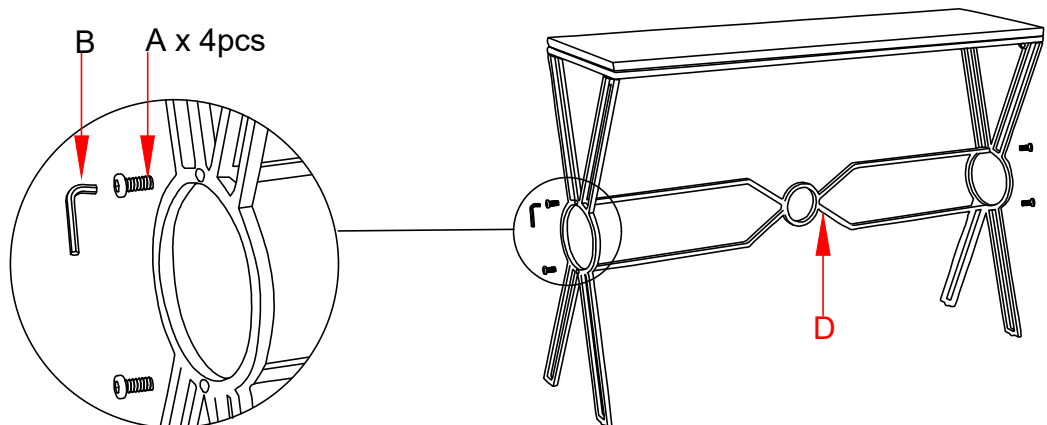
HARDWARE

S.NO	DESCRIPTION	QNT
A	 ALLEN SCREW	4
B	 ALLEN KEY	1

STEP1



STEP2



COMPLETED

