




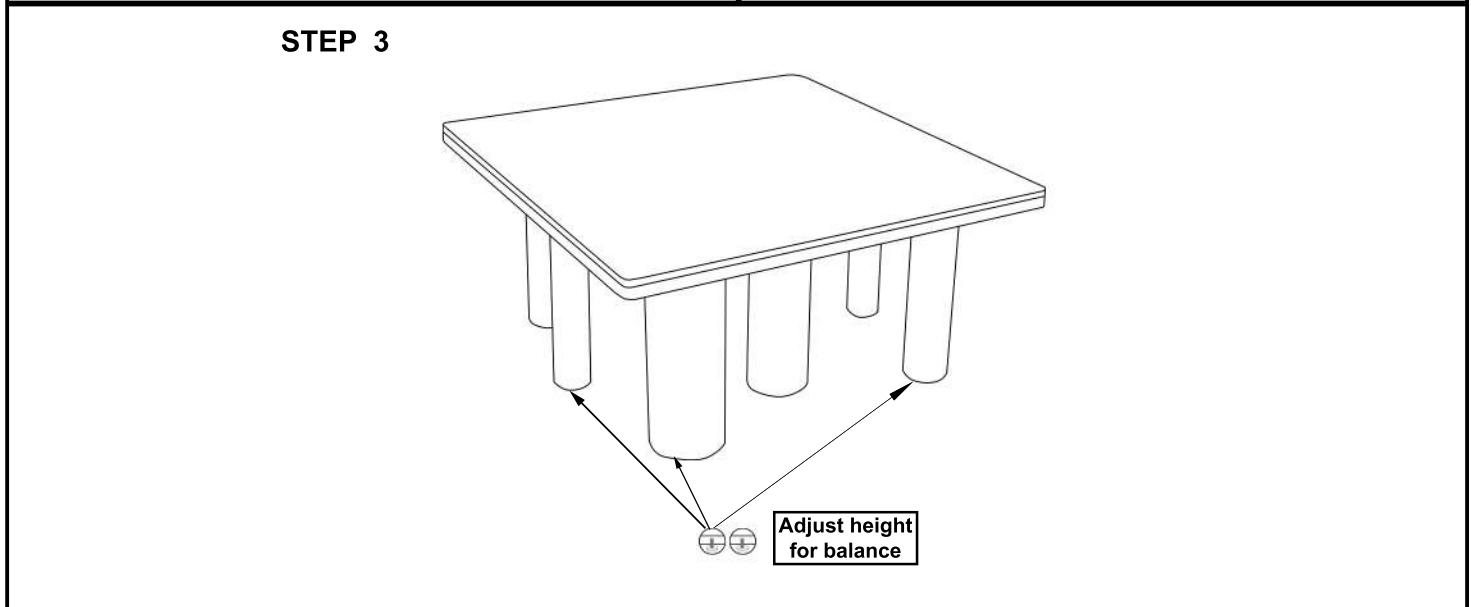
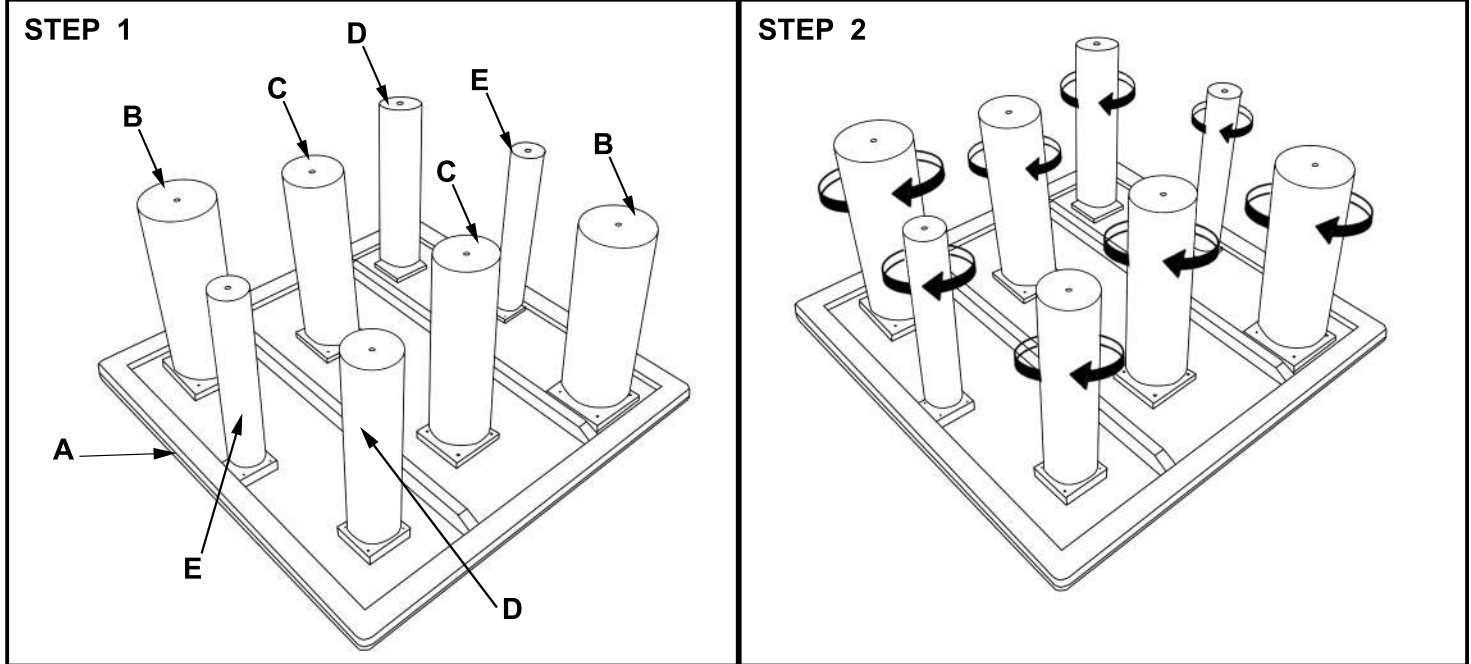


# ASSEMBLY INSTRUCTION

CVFNR4801

## PARTS

S.No.	DESCRIPTION	QTY				
A		1	C		WOODEN LEG 5"	2
			D		WOODEN LEG 4"	2
B		2	E		WOODEN LEG 3"	2



**MADE IN INDIA**