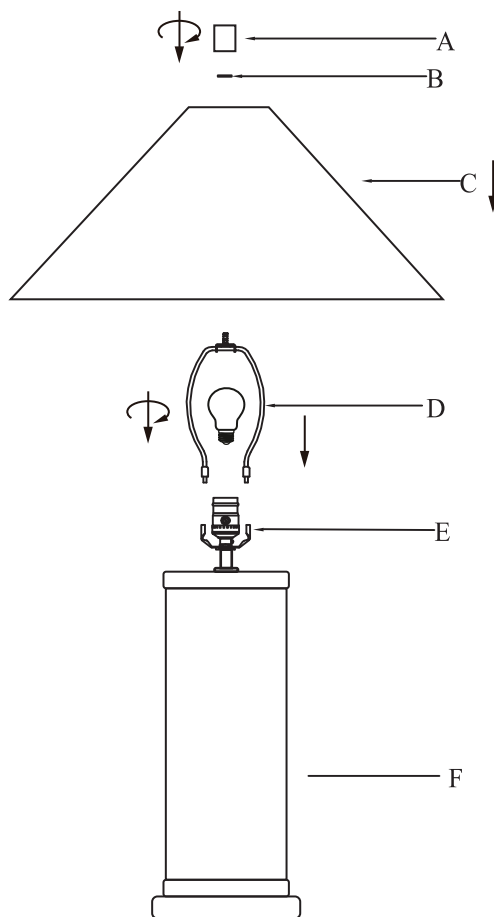


# ASSEMBLY INSTRUCTIONS

## CVAZER182



### 1. Unpack the lamp

- Carefully organize and place all parts on a smooth, flat surface. line up all of the parts according to the assembly diagram.

### 2. Assemble the harp

- Squeeze legs of the harp (D) together and insert the two ends between the prongs of the harp holder.

### 3. Assemble the shade

- Place the shade (C) onto the harp (D).
- Secure the shade (C) to harp with rubber washer (B) and finial (A).

### 4. Install the bulb

- Prior to installing the bulb, inspect socket for silica packet. If packet is present, then remove and throw away. Do not expose it to children or pets.
- Install the 120V, 60Hz, 150-watt max. medium-base type A 3-way bulb (not included) into the socket of the light lamp.

**NOTES:** Make sure a 3-way bulb is being used and that the bulb is fully screwed into the base of the socket. this may require an extra turn of the bulb.

- Plug cord into an outlet and turn on at the switch.

**NOTE:** The drawing of the lamp body is for reference only.

Dear Customer,

Congratulations on your purchase of this quality lamp. It has been produced under the highest quality standards. Please read carefully the following precautions before using this lamp:

- When unpacking and assembling, be careful not to pull wire with full strength, as an incorrect connection could result.
- Only use the bulb and wattage specified in this instructions or on the label located on the socket.
- Do not attempt to replace bulb while the lamp is plugged into an electrical outlet.
- Do not use outdoors, or near water or other liquids.
- Unplug from outlet before removal of any parts and cleaning.
- Only use soft cloth for cleaning. Do not use any chemical or abrasive cleaners.
- Remove the cellophane cover from shade before use.
- During shipment, the socket cover may have become loose, Before inserting bulb, check to see that the socket cover is in place.

Part	Description	Quantity
A	Finial	1
B	Rubber washer	1
C	Shade	1
D	Harp	1
E	Socket assembly	1
F	Lamp body	1

**Made in China**