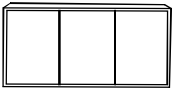







ASSEMBLY INSTRUCTION

CVFNR4564

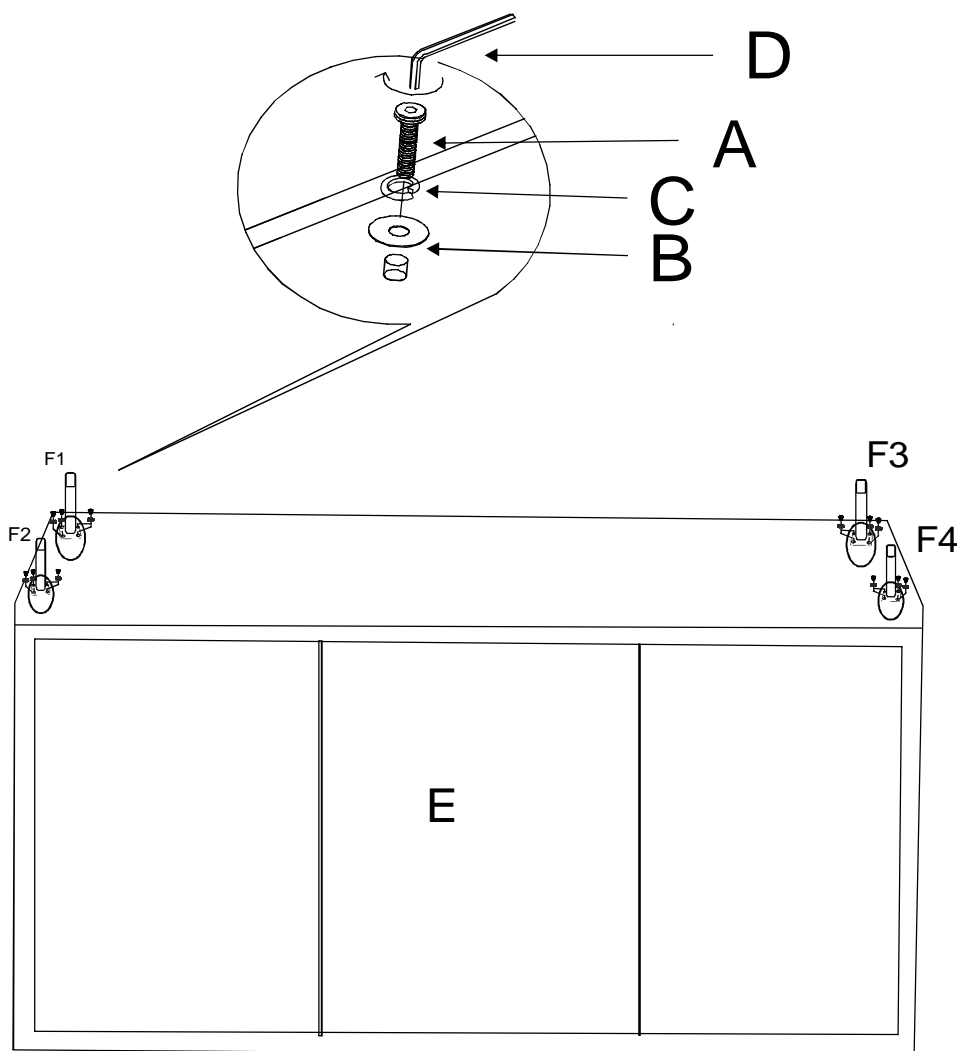
PARTS

S.NO.	DESCRIPTION	QTY
E	 CASE	1 PC
F	 LEGS F1, F2, F3, F4	4 PCS

HARDWARE

S.NO.	DESCRIPTION	QTY
A	 ALLEN SCREW 20MM	16 PCS
B	 WASHER	16 PCS
C	 SPRING WASHER	16 PCS
D	 ALLEN KEY	1 PC

STEP 1



STEP 2

COMPLETE

