



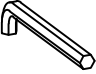

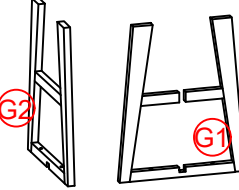


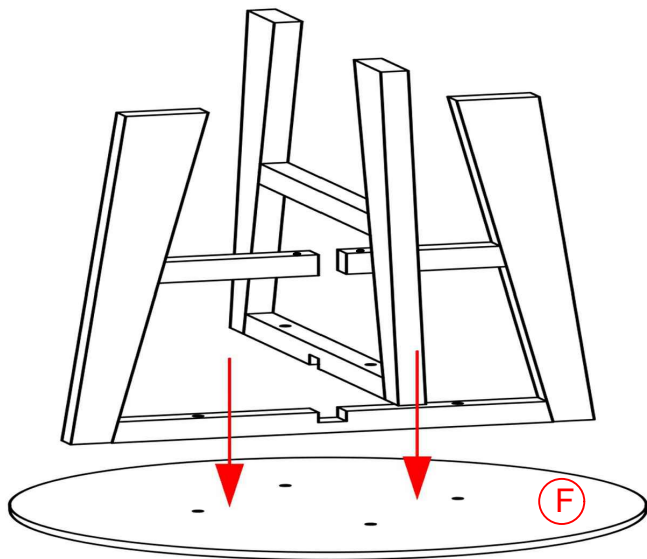


# ASSEMBLY INSTRUCTIONS

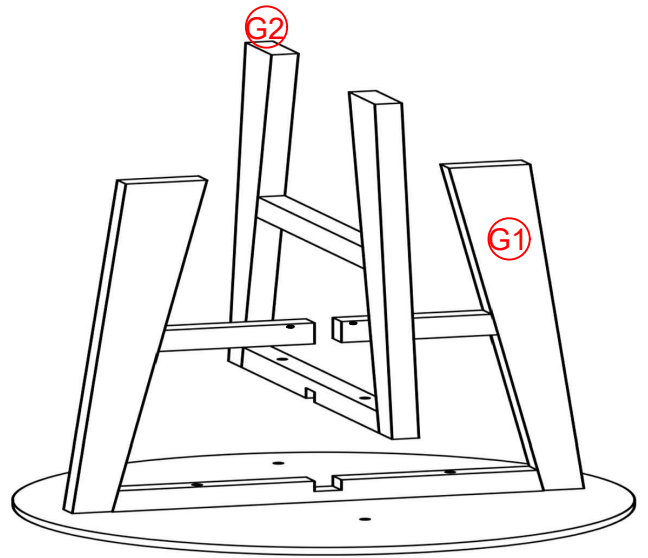
ITEM # CVFNR4385

A X 8	B X 4 BIG	C X 8 MEDIUM	D X 2 SMALL	E X 1	F X 1 TOP	G X 2 LEG	H X 1 BOTTOM TOP	I X 1
								

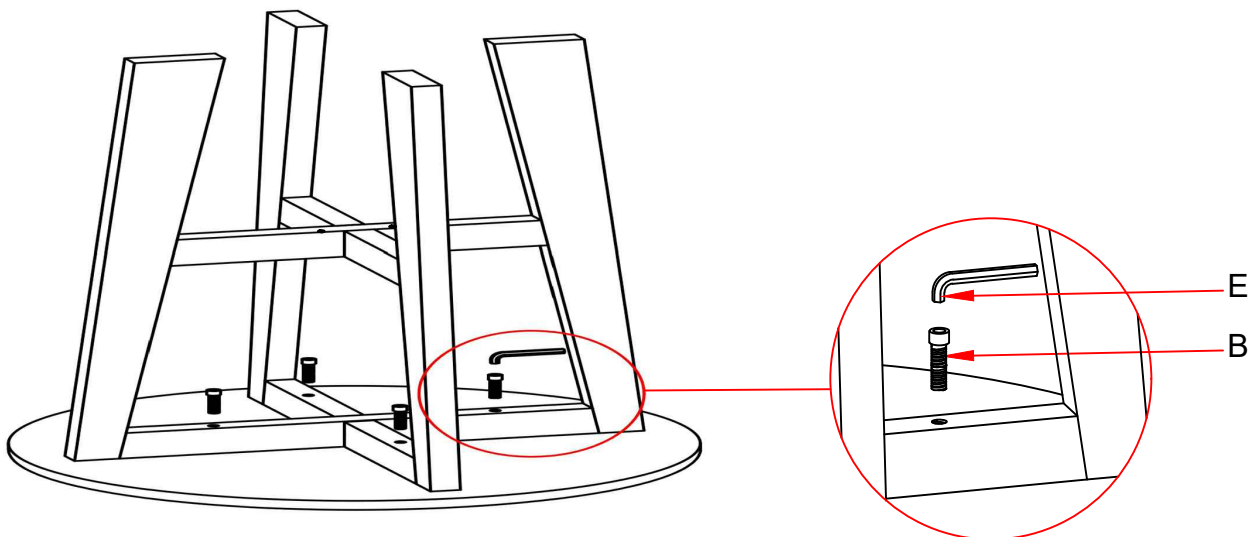
## STEP 1



## STEP 2

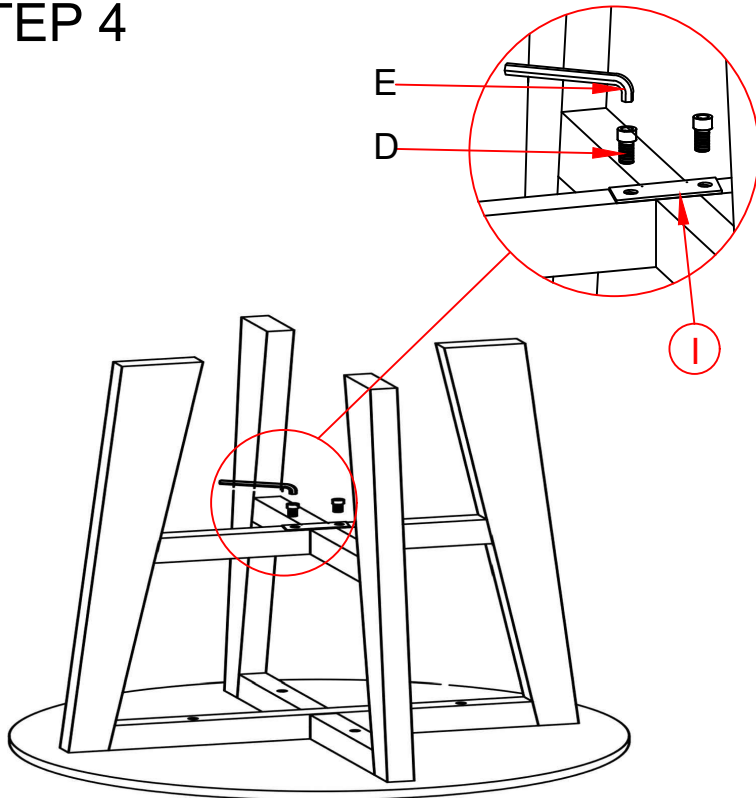


## STEP 3

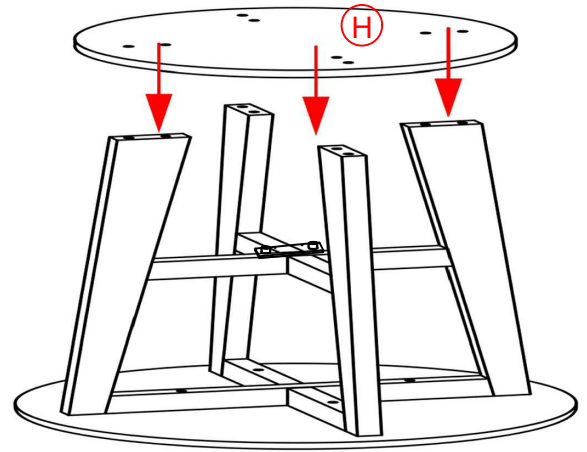


# ASSEMBLY INSTRUCTIONS

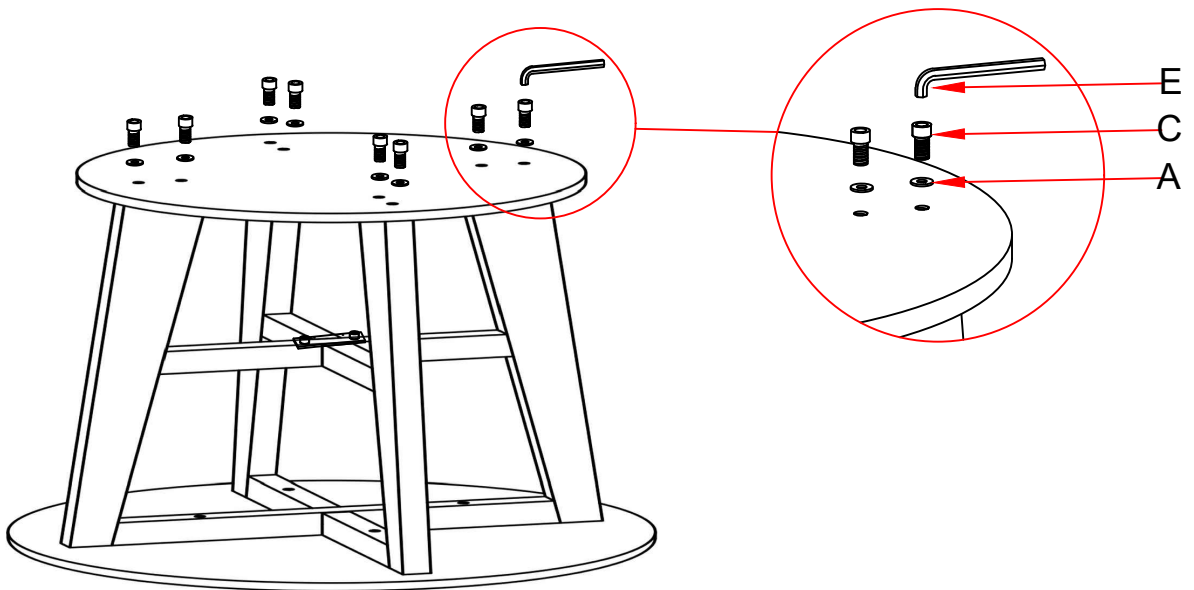
## STEP 4



## STEP 5



## STEP 6



## FINAL PRODUCT

