









ASSEMBLY INSTRUCTION

CVFNR4268

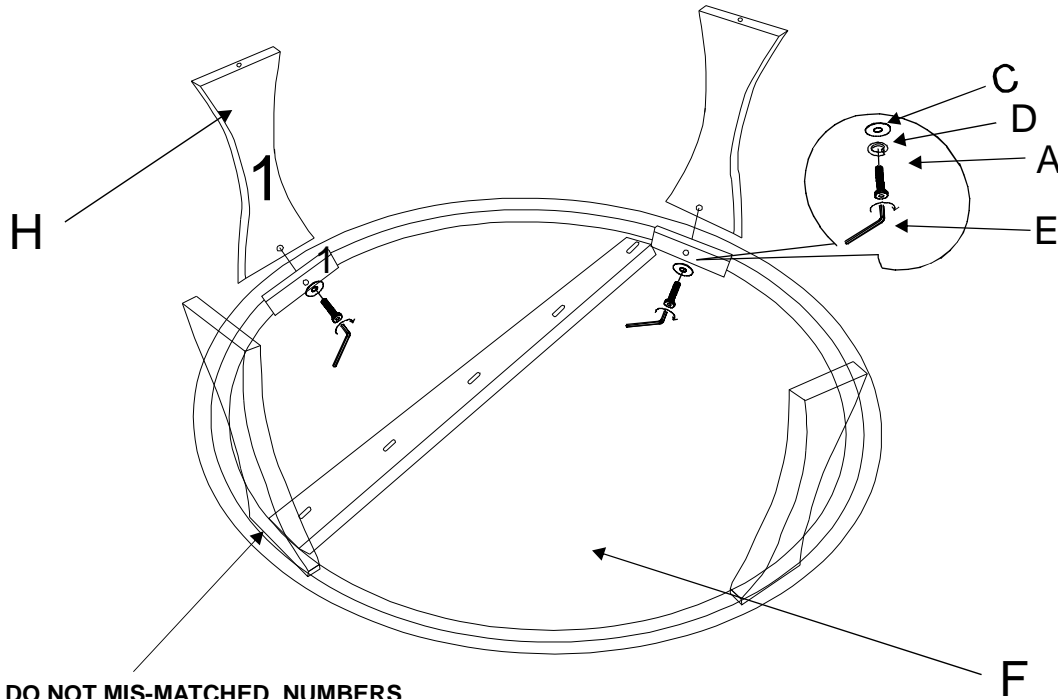
PARTS

S.NO.	DESCRIPTION	QTY
F	 TOP	1 PC
G	 BASE	1 PC
H	 LEG 1/2/3/4	4 PCS

HARDWARE

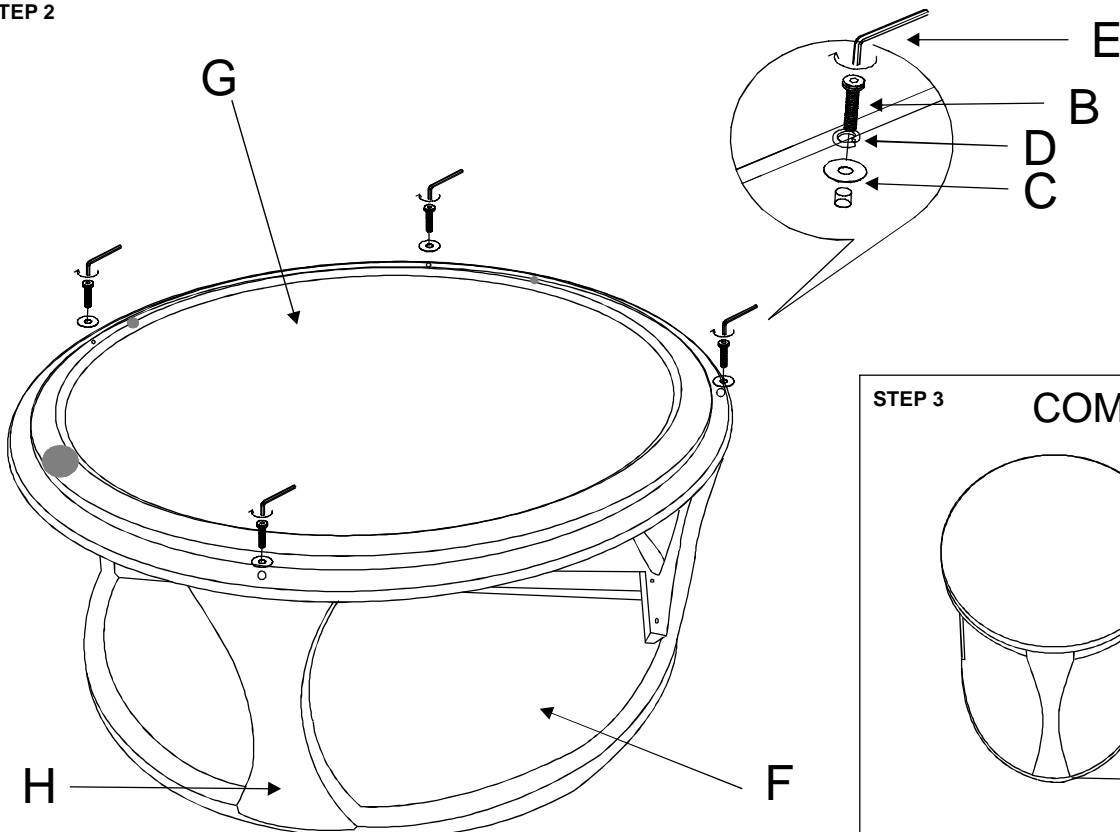
S.NO.	DESCRIPTION	QTY
A	 ALLEN SCREW 50MM	4 PCS
B	 ALLEN SCREW 30MM	4 PCS
C	 WASHER	8 PCS
D	 SPRING WASHER	8 PCS
E	 ALLEN KEY	1 PC

STEP 1



NOTICE: DO NOT MIS-MATCHED NUMBERS

STEP 2



STEP 3

COMPLETE

