








ASSEMBLY INSTRUCTION

CVFNR4402

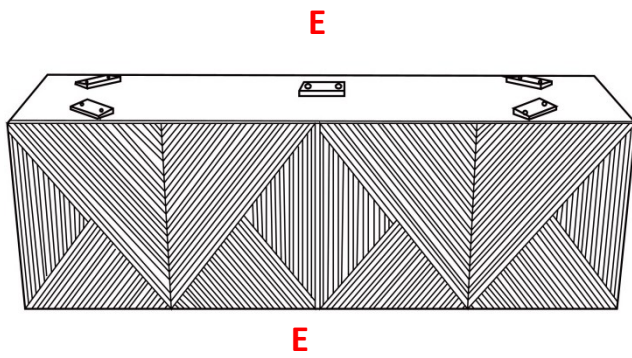
PARTS

S. NO.	DESCRIPTION	QTY.
E	 CABINET	1
F	 LEG 1/2/3/4	4
G	 MIDDLE LEG	1

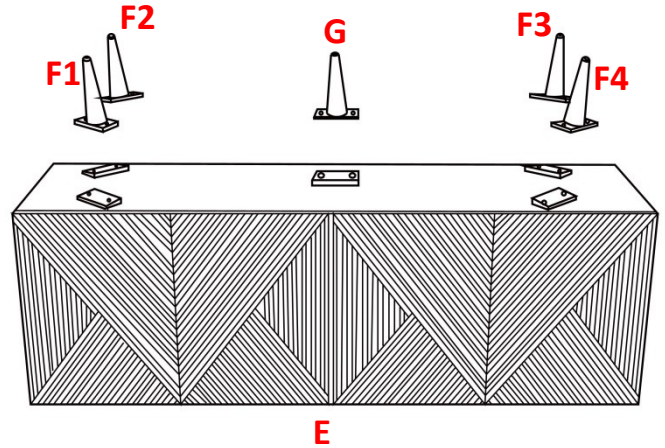
HARDWARE

S. NO.	DESCRIPTION	QTY.
A	 BOLT	10
B	 SPRING WASHER	10
C	 FLAT WASHER	10
D	 ALLEN WRENCH	1

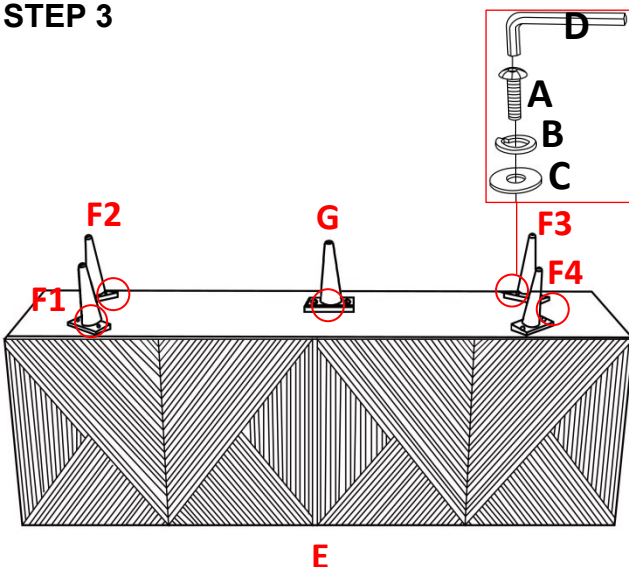
STEP 1



STEP 2



STEP 3



COMPLETED

