



ASSEMBLY INSTRUCTIONS





ITEM# CVFNRD119



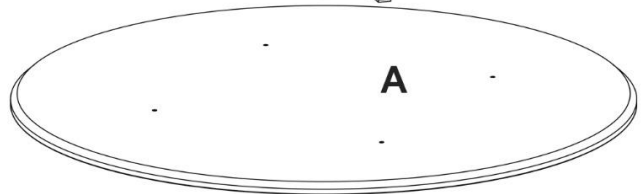
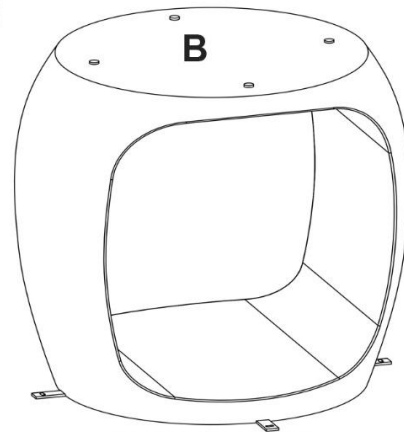
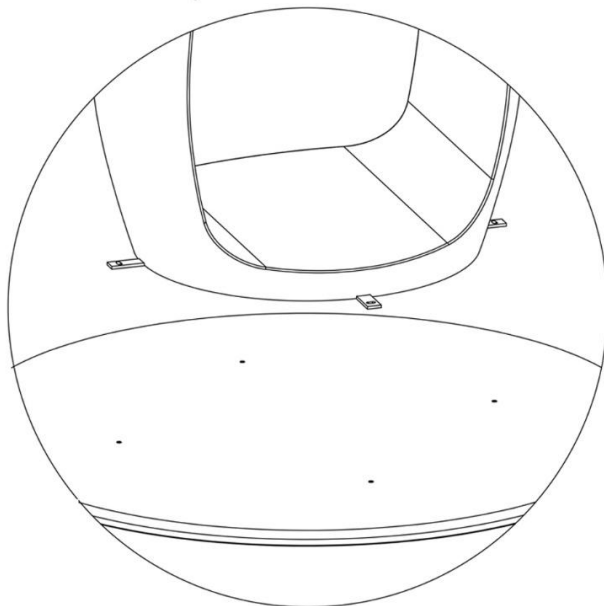
PARTS LIST

	DESCRIPTION		Q'ty
A	Top		1
B	BASE		1

HARDWARE LIST

NO.	DESCRIPTION		Q'ty
C	ALLEN BOLT	 40x8mm	4
D	WASHER	 25x8mm	4
E	ALLENKEY		1
F	SPRING WASHER		4

STEP 01



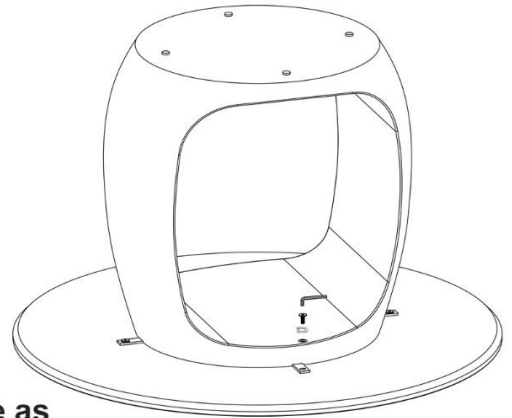
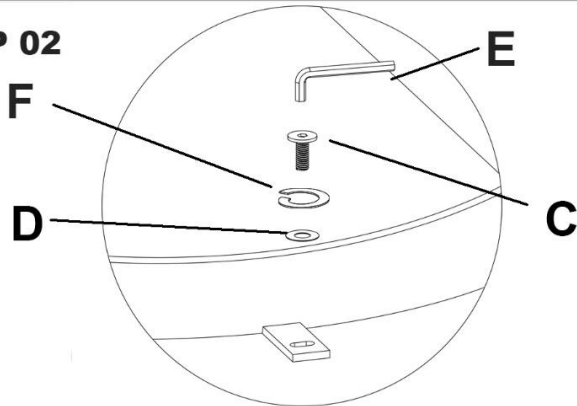
Note:

Place the wooden top upside down on a flat protective surface try to match the holes of base with the holes of top. If they can't fully match , rotate the base 90 degree and try again , till all holes align very well

ASSEMBLY INSTRUCTIONS

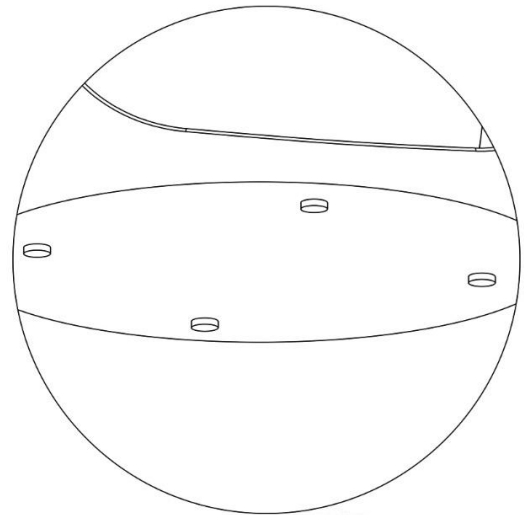
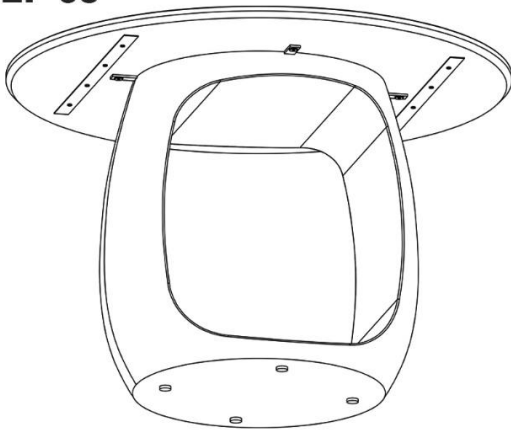
ITEM# CVNFRD119

STEP 02

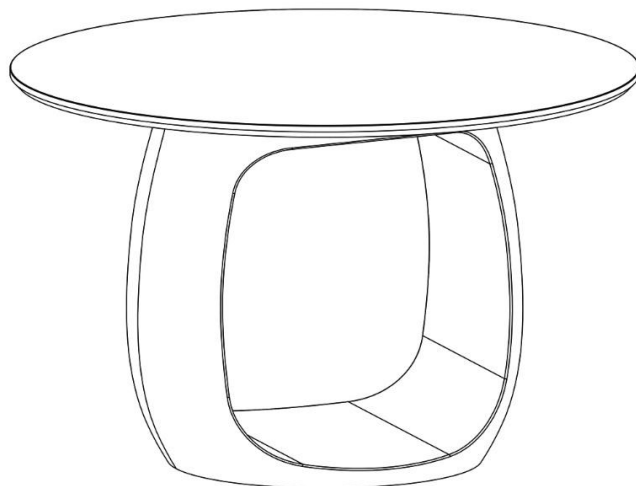


Complete the final assembly of the top and base as illustrated in the image. Insert the Allen bolts through the holes in the base into the top. Once the bolts are partially inserted into the top, fully tighten them.

STEP 03



Balance the dining table on floor with the help of balancer



FINISH