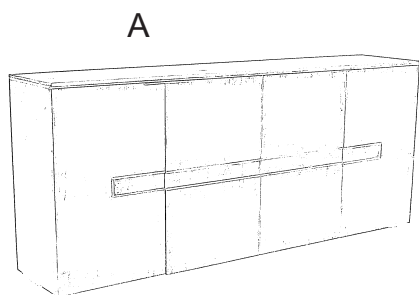
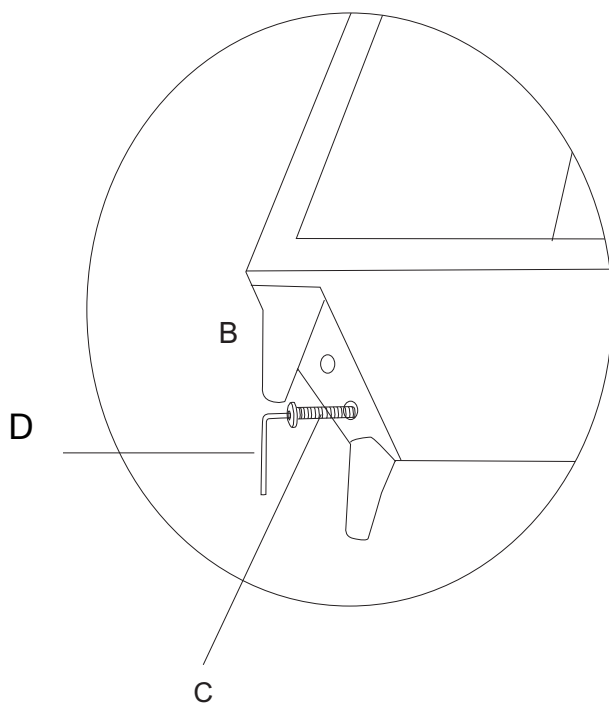
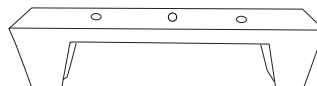


# Assembly Instruction: CVFNR5093



B X 2



C  = 6

D  = X1

