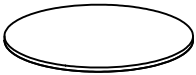
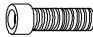
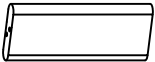




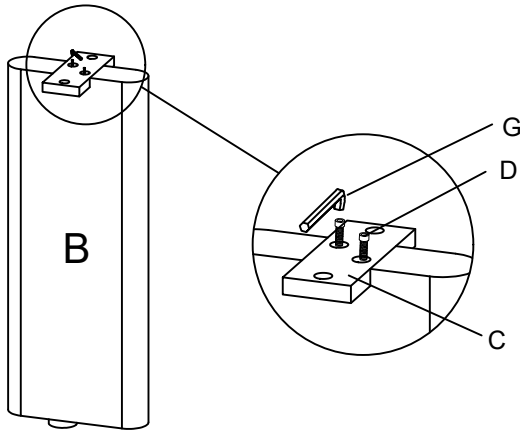


ASSEMBLY INSTRUCTIONS

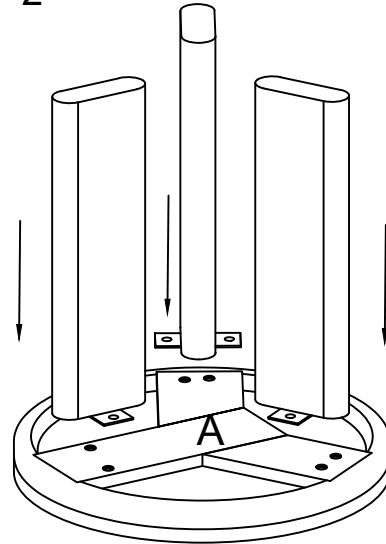
CVFNR4864

| S.NO | PARTS DESCRIPTION | | QTY | S.NO | HARDWARE DESCRIPTION | | QTY |
|------|---|--------------------|-----|------|--|--------------------|-----|
| A |  | TOP | 1 | D |  | BOLT (6MMX25MM) | 6 |
| B |  | LEG | 3 | E |  | BOLT (6MMX16MM) | 6 |
| C |  | METAL CONNECTOR | 3 | F |  | WASHER | 6 |
| | | | | G |  | ALLEN KEY | 1 |

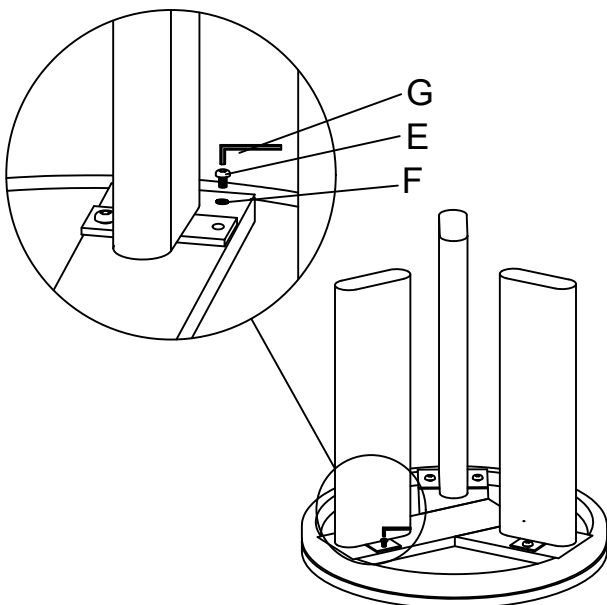
STEP 1



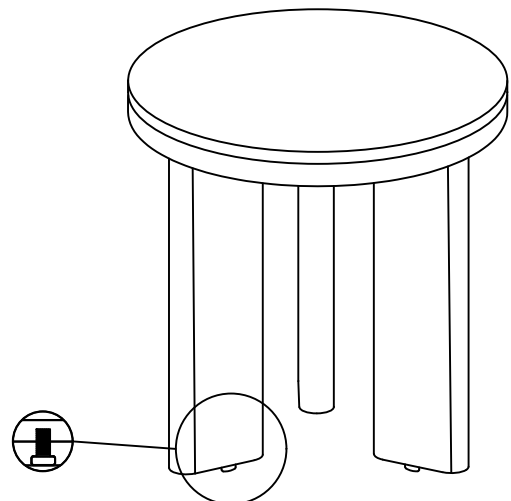
STEP 2



STEP 3



STEP 4



Adjust height for balance